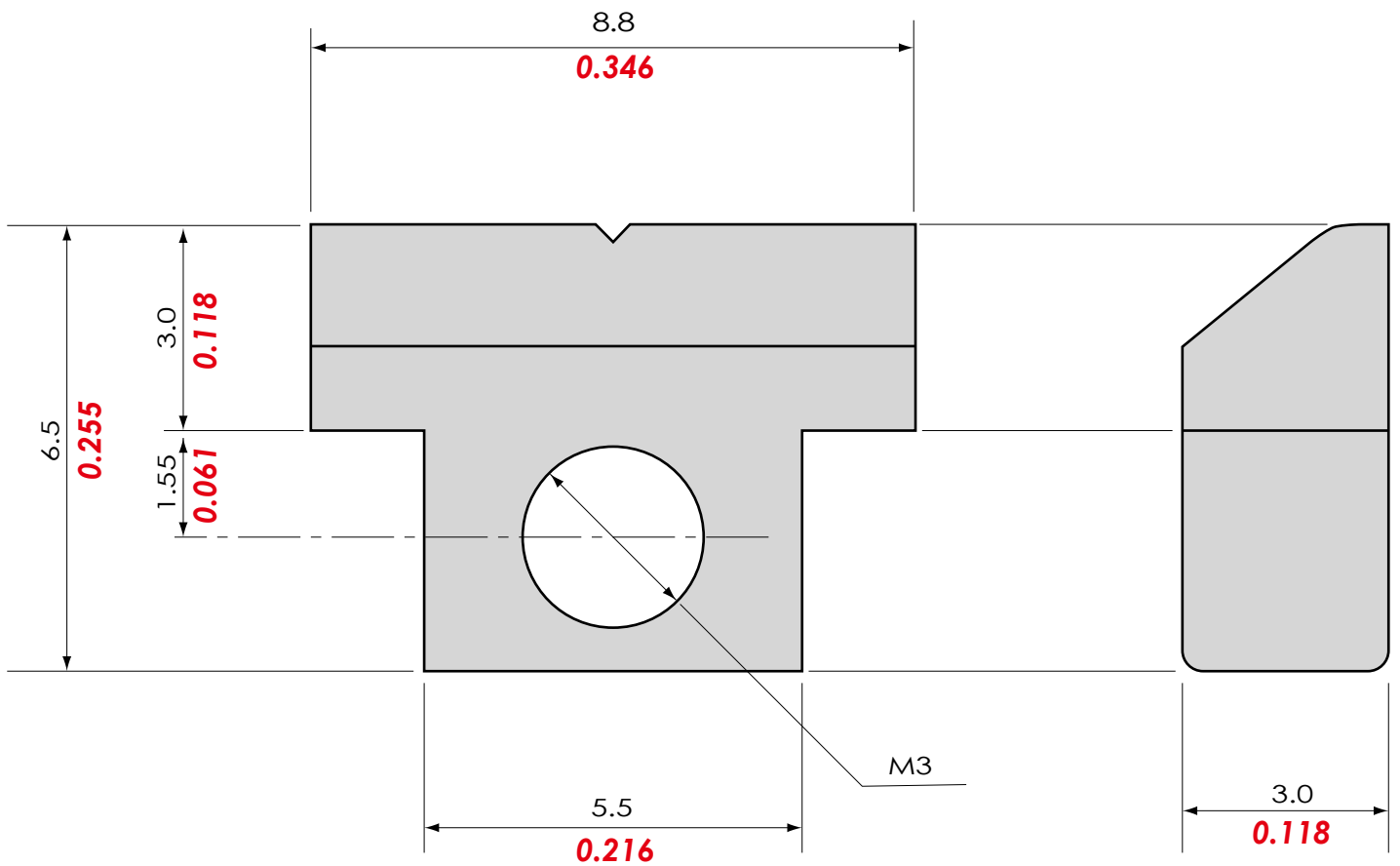


# PR-01



mm  
inch